

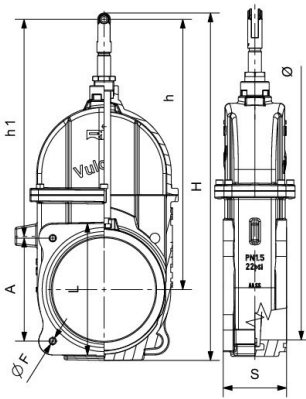


## RIV 90

Great capacity two-flange piston gate valve heavy type  
metal/rubber tightness  
with O-ring gaskets

### Tech drawings and tables

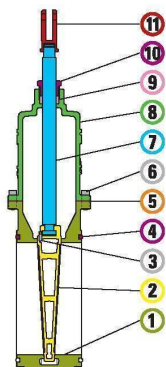
DN	Code	Ø	H	h	S	L	F	A	h1	PN	KG	P/box
8"	050090000020	191	616	485	111	230	M12	180	385	1,5 bar - 21 psi	27,810	1



### Advantages

- Gate valve with higher performances than the existing valves on sale.
- Solid structure in cast iron, with a remarkable quality of hardness.
- Great inner capacity to save the valve clogging.
- Hermetic seal. Thanks to a new system of ours, we succeeded in combining the advantages and the hardness of the metal seat to the softness of the rubber, assuring at the same time a double tightness.
- Anti-corrosion stainless steel screws.
- Interchangeable with traditional types.
- In accordance with 97/23/CE (PED) Directive.

## Technical data



Materials			
1	Body	Cast iron	EN-JGL-250
2	Wedge	Brass	CB754S
3	Screw	Stainless steel	AISI 304
4	O-Ring	NBR	
5	Gasket	Fibre	
6	Screw	Stainless steel	AISI 304
7	Stem	Brass	CW614N
8	Cap	Cast iron	EN-JGL-250
9	Tow Packing	Fibre	
10	Stuffing-Box	Brass	CW614N
11	Fork	Brass	CW617N

### Connections

Square flange

### Limit

-20°C (without liquid) +90°C

### Notes

The max. working pressure (PN) means at a room temperature of about 23°C.